



PARTS CATALOG

Robin

Pump

Model

PTG208
PTG209

No.2

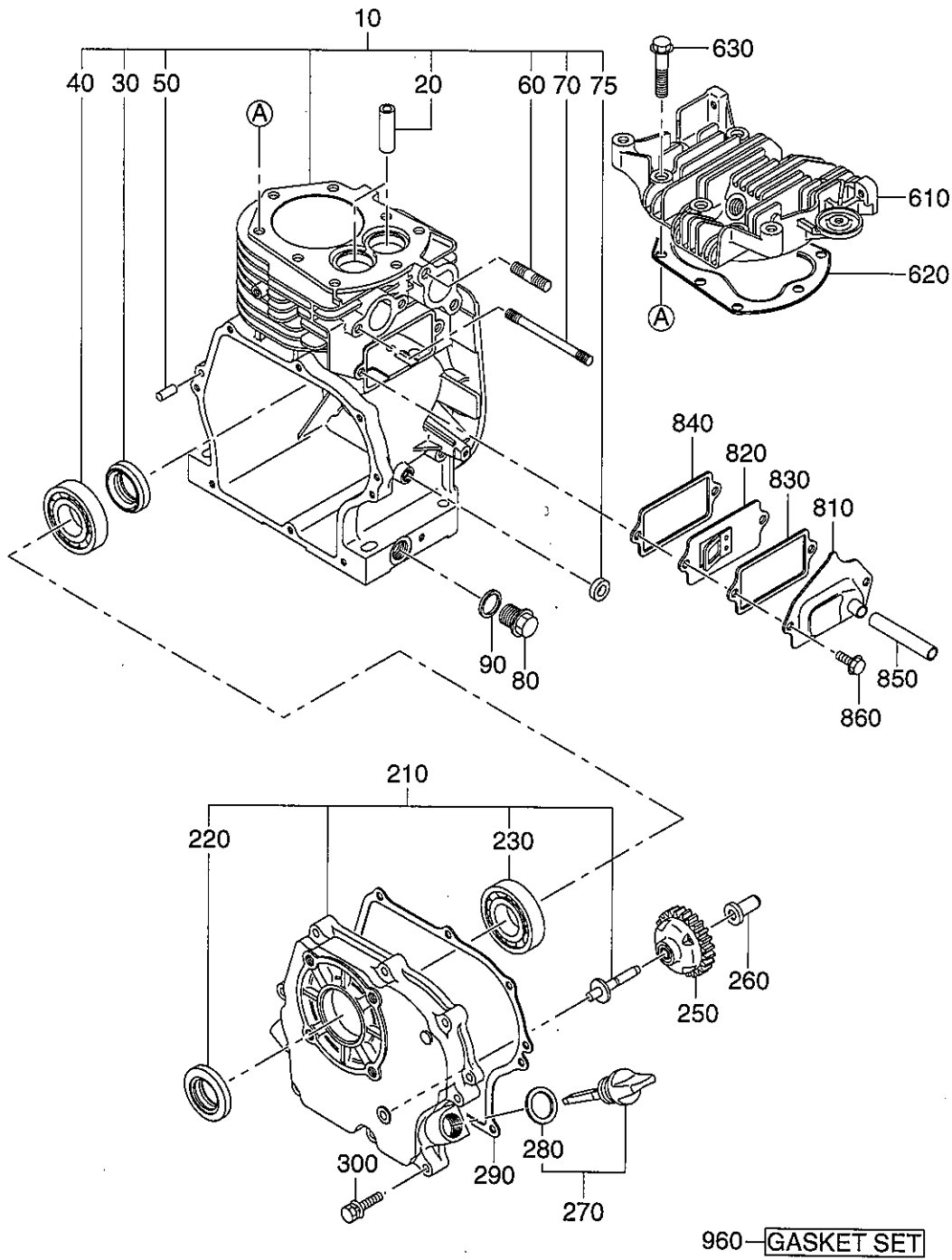
Spec. No. PTG20800350
PTG20800360
PTG20900350
EY153D10050
EY153D10130

 **FUJI HEAVY INDUSTRIES LTD.**

ISSUE EMD-PP1623

ISSUE DATE 2001.11

FIG. 100



1 CRANK CASE

REF. NO.	PART NUMBER		PART NAME		CODE NO. FROM - TO	QTY	REMARKS	INTERCHANGEABLE PART NUMBER	FIG. NO.																																																																																																		
		PART NUMBER		SPEC. NO.																																																																																																							
10	281-10101-01		CRANK CASE CP		-	1			100																																																																																																		
20	227-14202-03		VALVE GUIDE		-	2			100																																																																																																		
30	044-02501-50		OIL SEAL		-	1	25X38X7		100																																																																																																		
40	X60-02500-10		BALL BEARING		-	1			100																																																																																																		
50	031-00600-20		DOWEL PIN		-	2	6DX14.5L		100																																																																																																		
60	010-50802-50		STUD		-	2	M8X1.25X25L		100																																																																																																		
70	010-50601-20		STUD		-	2	M6X1.0X82L		100																																																																																																		
75	044-00800-10		OIL SEAL		-	1	VC8144		100																																																																																																		
80	040-11400-30		PLUG		-	2	M14X1.5X20DX12L		100																																																																																																		
90	021-11400-20		GASKET		-	2	14.1DX19DX2.3T		100																																																																																																		
210	282-11001-01		MAIN BEARING COVER CP		-	1			100																																																																																																		
220	044-02501-60		OIL SEAL		-	1	25X41.24X7		100																																																																																																		
230	X60-02500-10		BALL BEARING		-	1			100																																																																																																		
250	227-45003-01		GOVERNOR GEAR CP		-	1			100																																																																																																		
260	205-41901-03		GOVERNOR SLEEVE		-	1			100																																																																																																		
270	282-63601-H1		OIL GAUGE CP		-	2	M18X1.5, L=59+23		100																																																																																																		
280	X21-31600-20		GASKET		-	2			100																																																																																																		
290	227-16001-03		GASKET (BEARING COV)		-	1			100																																																																																																		
300	013-00600-40		BOLT AND WASHER AY		-	8	M6X1.0X30L		100																																																																																																		
610	226-13001-13		CYLINDER HEAD		-	1			100																																																																																																		
620	281-15001-01		GASKET CP (HEAD)		-	1			100																																																																																																		
630	011-00800-10		FLANGE BOLT		-	8	M8X1.25X40L		100																																																																																																		
810	227-14301-01		TAPPET COVER CP		-	1			100																																																																																																		
820	227-14401-01		BREATHER PLATE CP		-	1			100																																																																																																		
830	282-16006-03		GASKET (TAPPET COVER)		-	1			100																																																																																																		
840	282-16007-03		GASKET (BREATHER PLA)		-	1			100																																																																																																		
850	085-10800-00		RUBBER PIPE		-	1	8DX11D		100																																																																																																		
860	011-00600-20		FLANGE BOLT		-	2	M6X1.0X12L		100																																																																																																		
960	281-99001-07		GASKET SET		-	1			100																																																																																																		
<table border="1"> <thead> <tr> <th colspan="10">281-99001-07 GASKET SET</th> </tr> <tr> <th></th> <th>PART NUMBER</th> <th colspan="3">PART NAME</th> <th>Q'ty</th> <th>FIG.</th> <th>REF.</th> <th colspan="3"></th> </tr> </thead> <tbody> <tr> <td>1)</td> <td>227-16001-03</td> <td colspan="3">GASKET (BEARING COV)</td> <td>1</td> <td>100</td> <td>290</td> <td colspan="3"></td> </tr> <tr> <td>2)</td> <td>281-15001-01</td> <td colspan="3">GASKET CP (HEAD)</td> <td>1</td> <td>100</td> <td>620</td> <td colspan="3"></td> </tr> <tr> <td>3)</td> <td>282-16006-03</td> <td colspan="3">GASKET (TAPPET COVER)</td> <td>1</td> <td>100</td> <td>830</td> <td colspan="3"></td> </tr> <tr> <td>4)</td> <td>282-16007-03</td> <td colspan="3">GASKET (BREATHER PLATE)</td> <td>1</td> <td>100</td> <td>840</td> <td colspan="3"></td> </tr> <tr> <td>5)</td> <td>281-35201-01</td> <td colspan="3">GASKET CP, EXHAUST</td> <td>1</td> <td>300</td> <td>340</td> <td colspan="3"></td> </tr> <tr> <td>6)</td> <td>282-35901-03</td> <td colspan="3">GASKET (INSULATOR)</td> <td>1</td> <td>300</td> <td>550</td> <td colspan="3"></td> </tr> <tr> <td>7)</td> <td>227-35904-03</td> <td colspan="3">GASKET 2 (INSULATOR)</td> <td>1</td> <td>300</td> <td>560</td> <td colspan="3"></td> </tr> </tbody> </table>										281-99001-07 GASKET SET											PART NUMBER	PART NAME			Q'ty	FIG.	REF.				1)	227-16001-03	GASKET (BEARING COV)			1	100	290				2)	281-15001-01	GASKET CP (HEAD)			1	100	620				3)	282-16006-03	GASKET (TAPPET COVER)			1	100	830				4)	282-16007-03	GASKET (BREATHER PLATE)			1	100	840				5)	281-35201-01	GASKET CP, EXHAUST			1	300	340				6)	282-35901-03	GASKET (INSULATOR)			1	300	550				7)	227-35904-03	GASKET 2 (INSULATOR)			1	300	560			
281-99001-07 GASKET SET																																																																																																											
	PART NUMBER	PART NAME			Q'ty	FIG.	REF.																																																																																																				
1)	227-16001-03	GASKET (BEARING COV)			1	100	290																																																																																																				
2)	281-15001-01	GASKET CP (HEAD)			1	100	620																																																																																																				
3)	282-16006-03	GASKET (TAPPET COVER)			1	100	830																																																																																																				
4)	282-16007-03	GASKET (BREATHER PLATE)			1	100	840																																																																																																				
5)	281-35201-01	GASKET CP, EXHAUST			1	300	340																																																																																																				
6)	282-35901-03	GASKET (INSULATOR)			1	300	550																																																																																																				
7)	227-35904-03	GASKET 2 (INSULATOR)			1	300	560																																																																																																				

FIG. 200

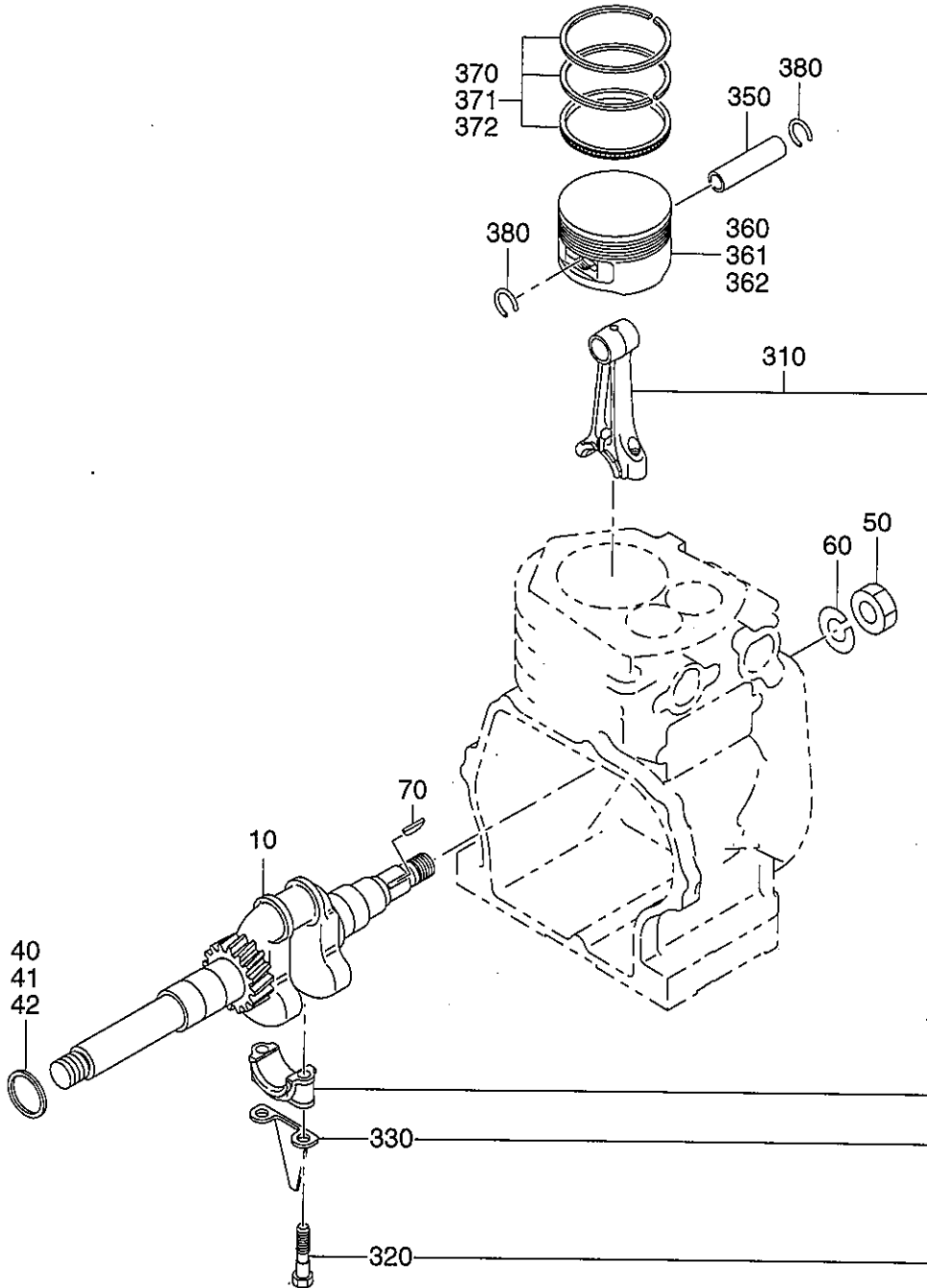


FIG. 300

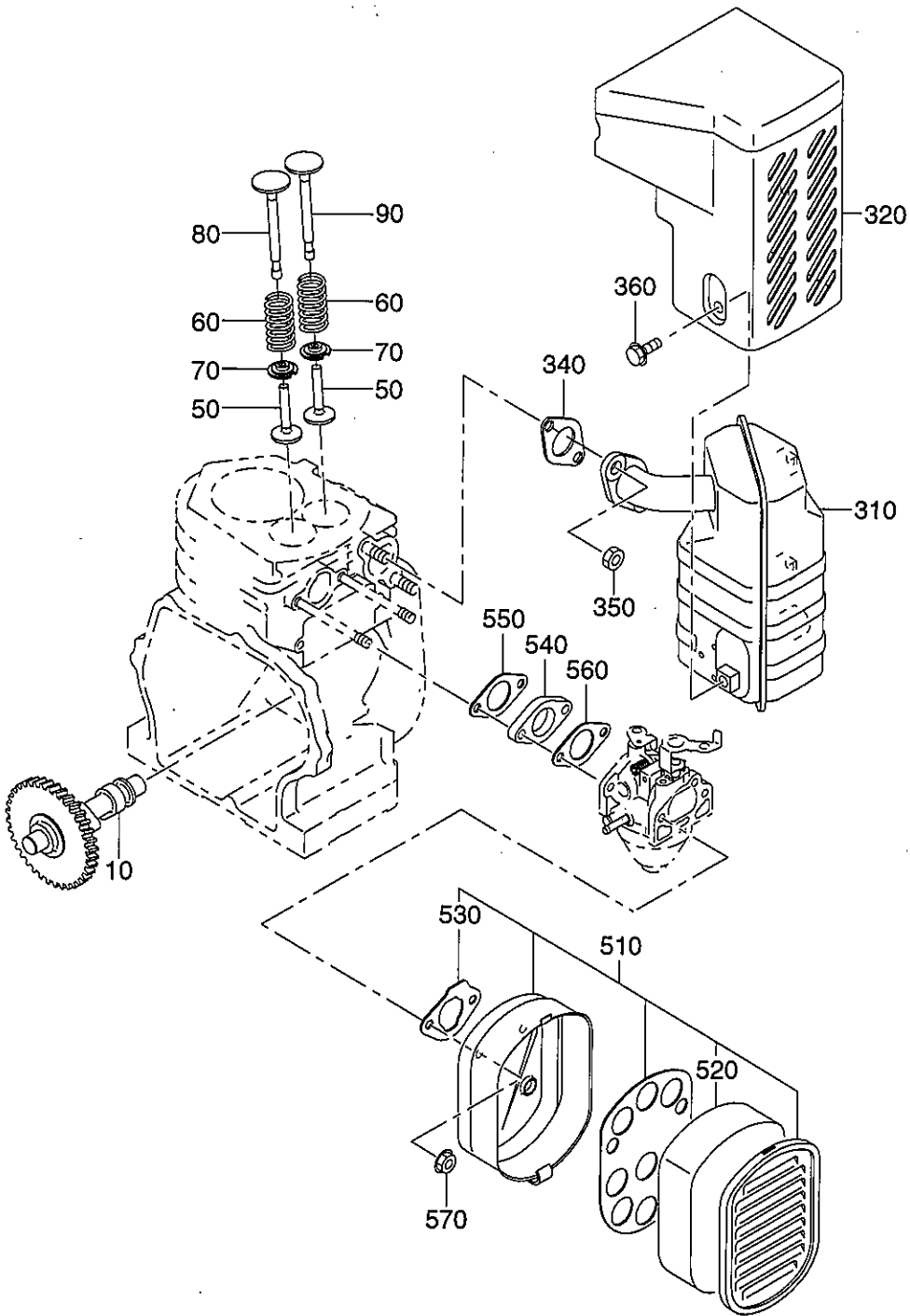


FIG. 400

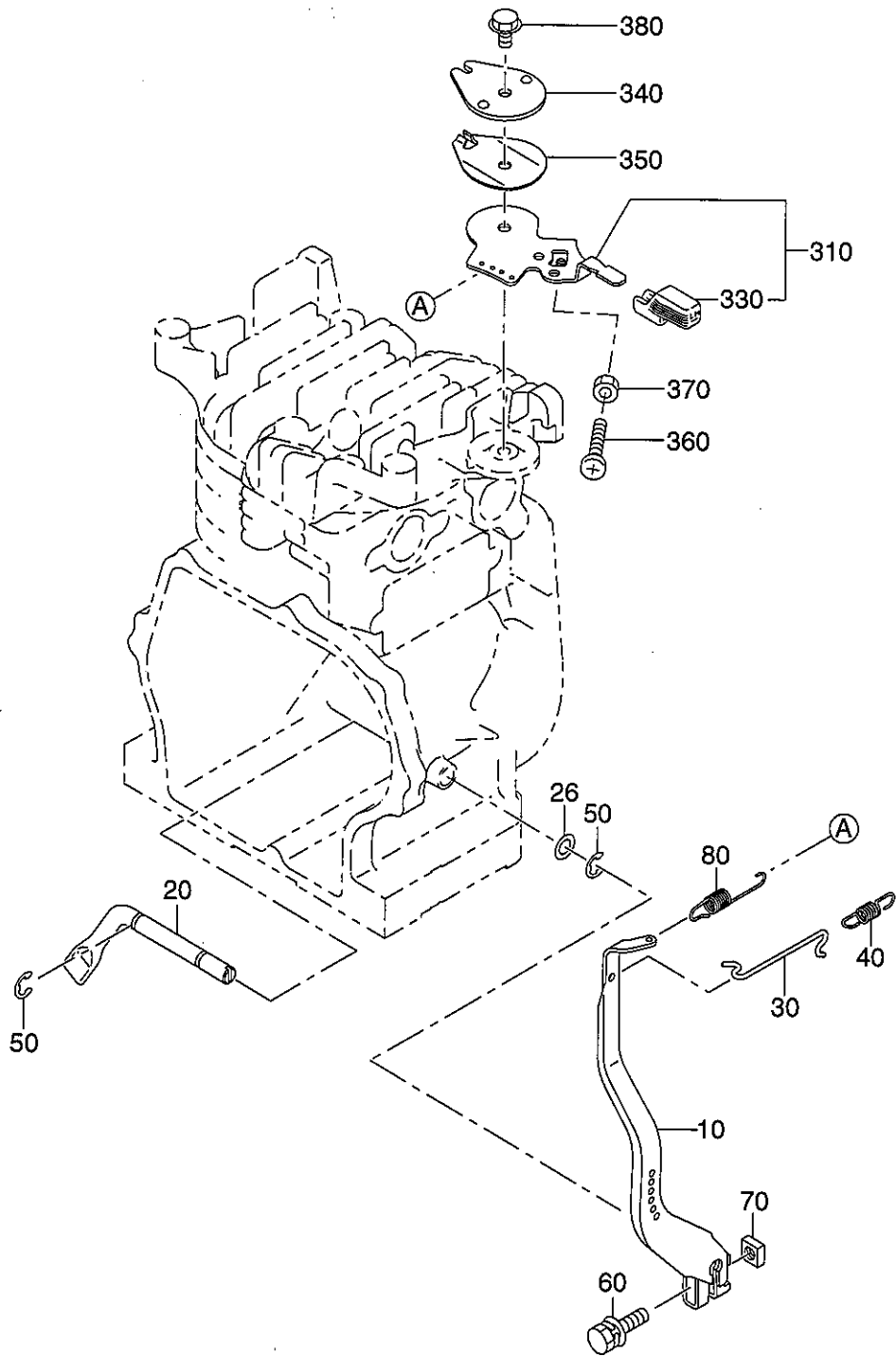


FIG. 500

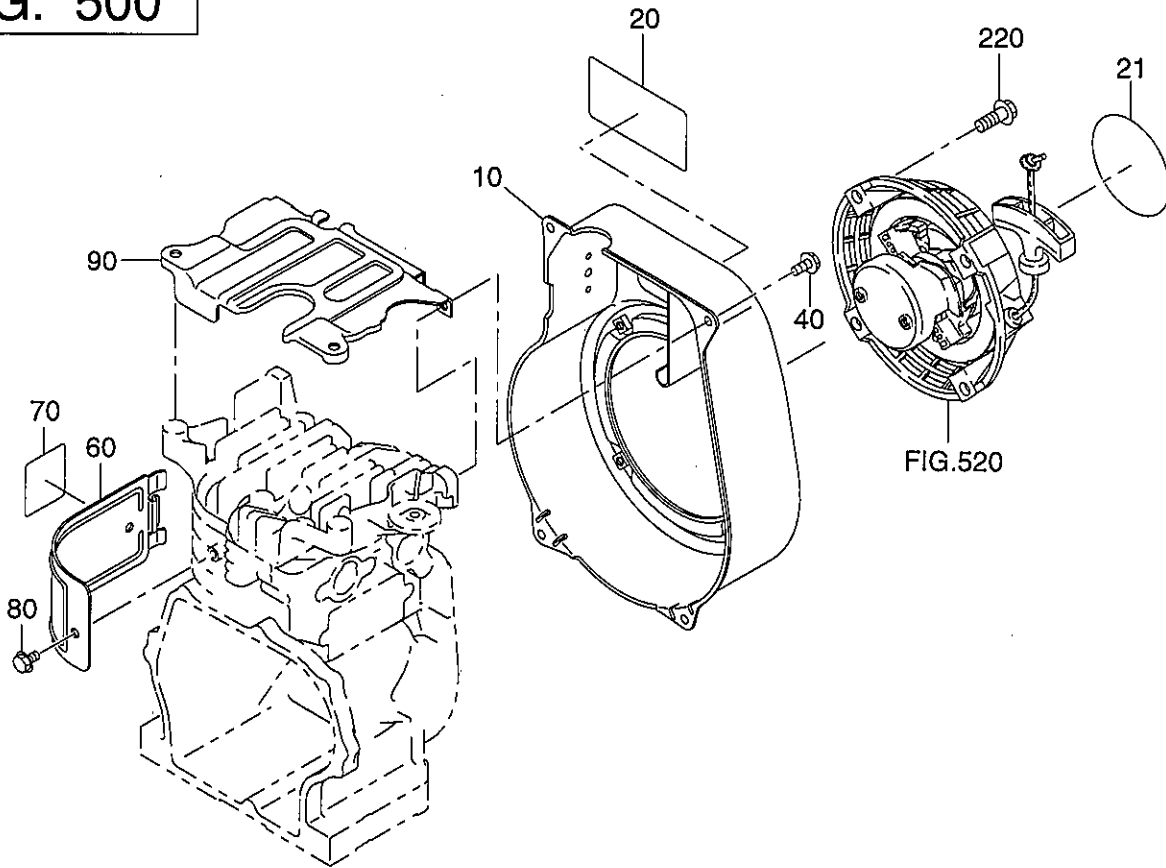


FIG. 520

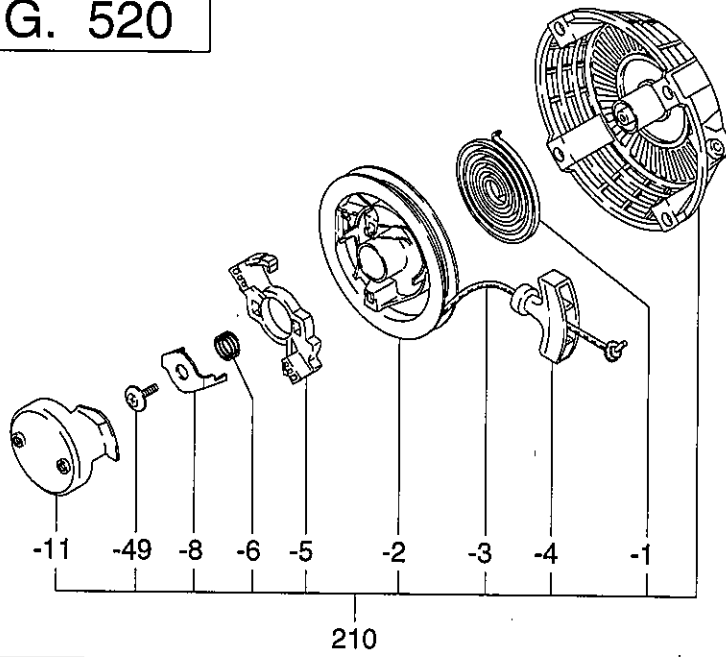


FIG. 600

FIG. 630

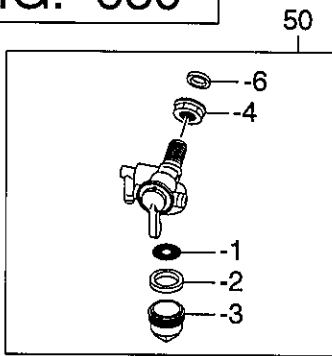
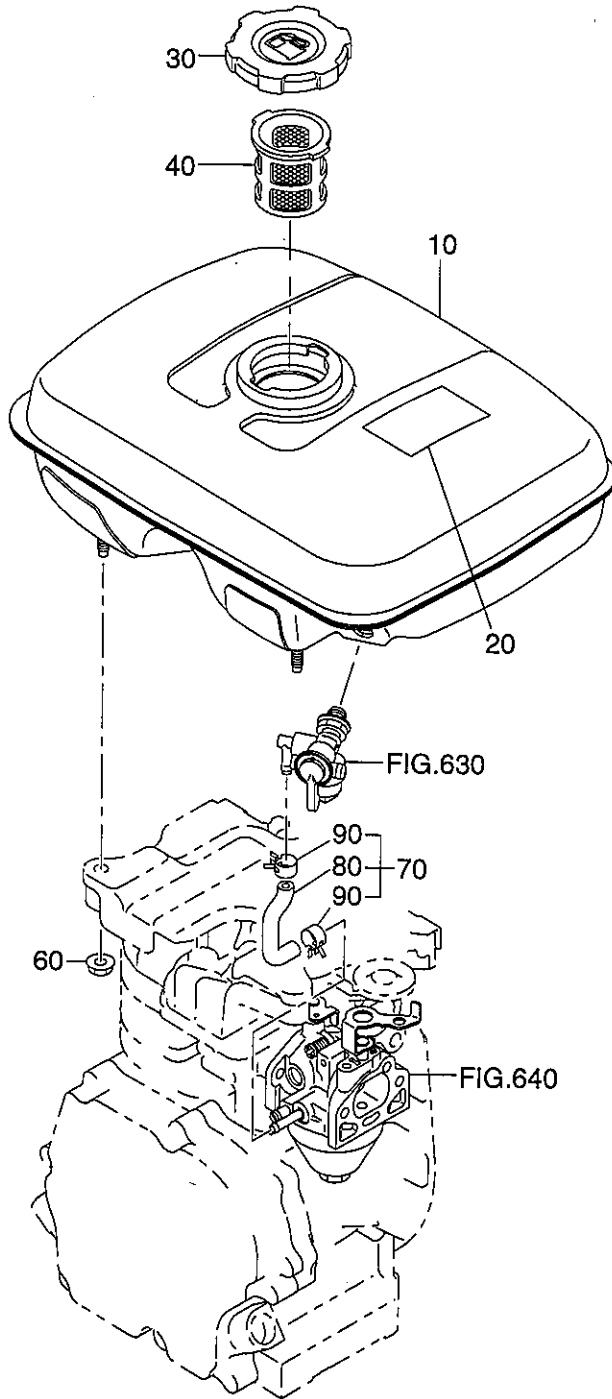
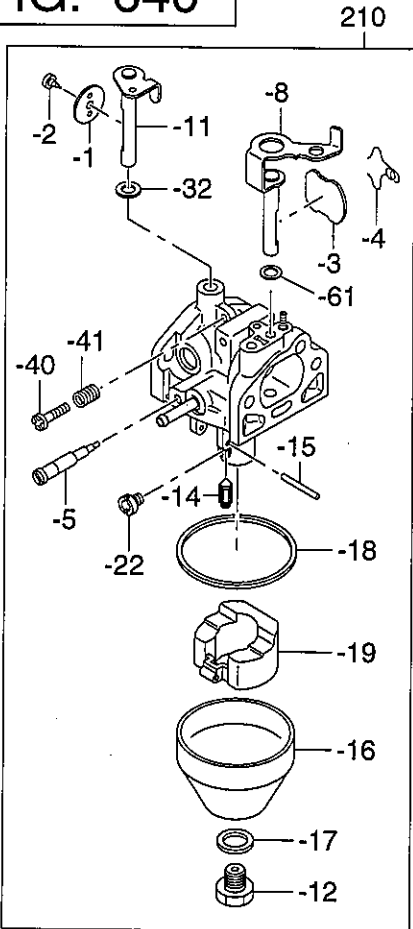


FIG. 640



6 FUEL LUBRICANT

REF. NO.	PART NUMBER		PART NAME		CODE NO. FROM - TO	QTY	REMARKS	INTERCHANGEABLE PART NUMBER	FIG. NO.
		PART NUMBER		SPEC. NO.					
10		281-60301-01		FUEL TANK CP	-	1	NEW R YELLOW		600
20		073-20044-50		LABEL (CAUTION)	-	1			600
30		043-04301-00		FUEL TANK CAP CP	-	1			600
40		064-13600-10		FUEL FILTER	-	1	36DX46DX43H		600
50		064-20064-00		FUEL STRAINER AY	-	1			630
- 1		064-20064-20		FILTER	-	1			630
- 2		064-20064-10		PACKING	-	1			630
- 3		064-20042-10		CUP, STRAINER	-	1			630
- 4		064-20064-30		NUT	-	1			630
- 6		064-20064-40		PACKING	-	1			630
60		002-38060-00		FLANGE NUT	-	2			600
70		281-62601-H1		FUEL PIPE CP	-	1	6DX12DX62L		600
80		281-62601-H3		RUBBER PIPE	-	1	6DX12DX62L		600
90		X56-11100-20		HOSE CLAMP	-	2			600
210		281-62301-00		CARBURETOR AY	-	1			640
- 1		226-62538-08		THROTTLE VALVE	-	1			640
- 2		215-62351-08		SCREW, VALVE SET	-	1			640
- 3		226-62527-08		CHOKE VALVE	-	1			640
- 4		226-62581-08		CLIP, VALVE SET	-	1			640
- 5		226-62435-18		NEEDLE CP (IDLE ADJ.)	-	1			640
- 8		226-62576-08		SHAFT AY (CHOKE)	-	1			640
- 11		226-62537-08		SHAFT AY (THROTTLE)	-	1			640
- 12		226-62451-08		PLUG, CHAMBER SET	-	1			640
- 14		226-62501-08		VALVE, FLOAT	-	1			640
- 15		226-62515-08		PIN, FLOAT	-	1			640
- 16		226-62558-08		CHAMBER, FLOAT	-	1			640
- 17		226-62460-08		GASKET, CHAMBER SET	-	1			640
- 18		226-62542-08		GASKET, FLOAT CHAMBER	-	1			640
- 19		226-62507-08		FLOAT	-	1			640
- 22		226-62409-08		JET, MAIN (#82)	-	1	#82		640
- 32		226-62580-08		FILTER, AIR	-	1			640
- 40		226-62582-08		SCREW, THRO. ADJUST	-	1			640
- 41		226-62446-08		SPRING, THRO. AD. SCREW	-	1			640
- 61		261-62354-08		CAP, SEALING	-	1			640

FIG. 700

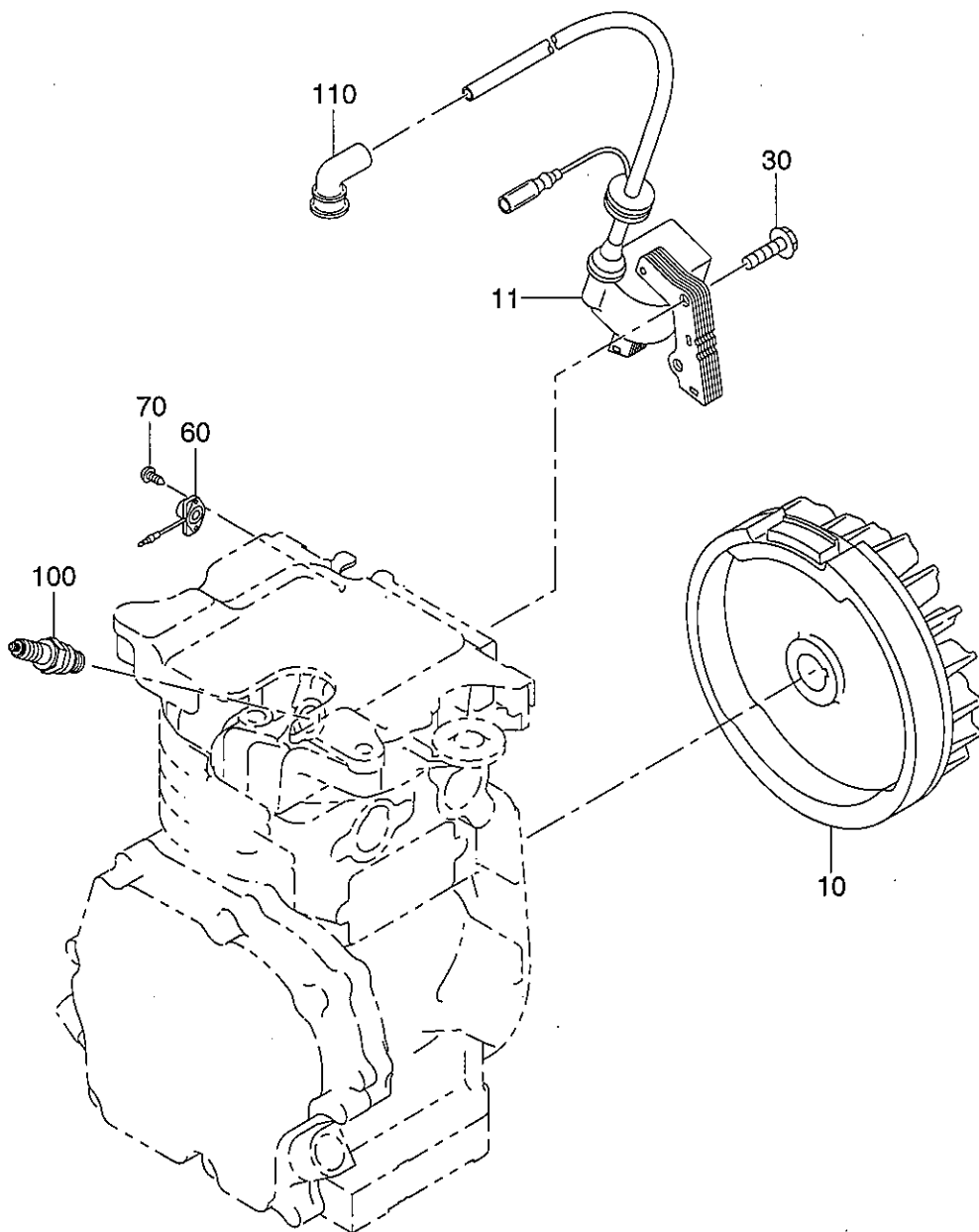


FIG. 770

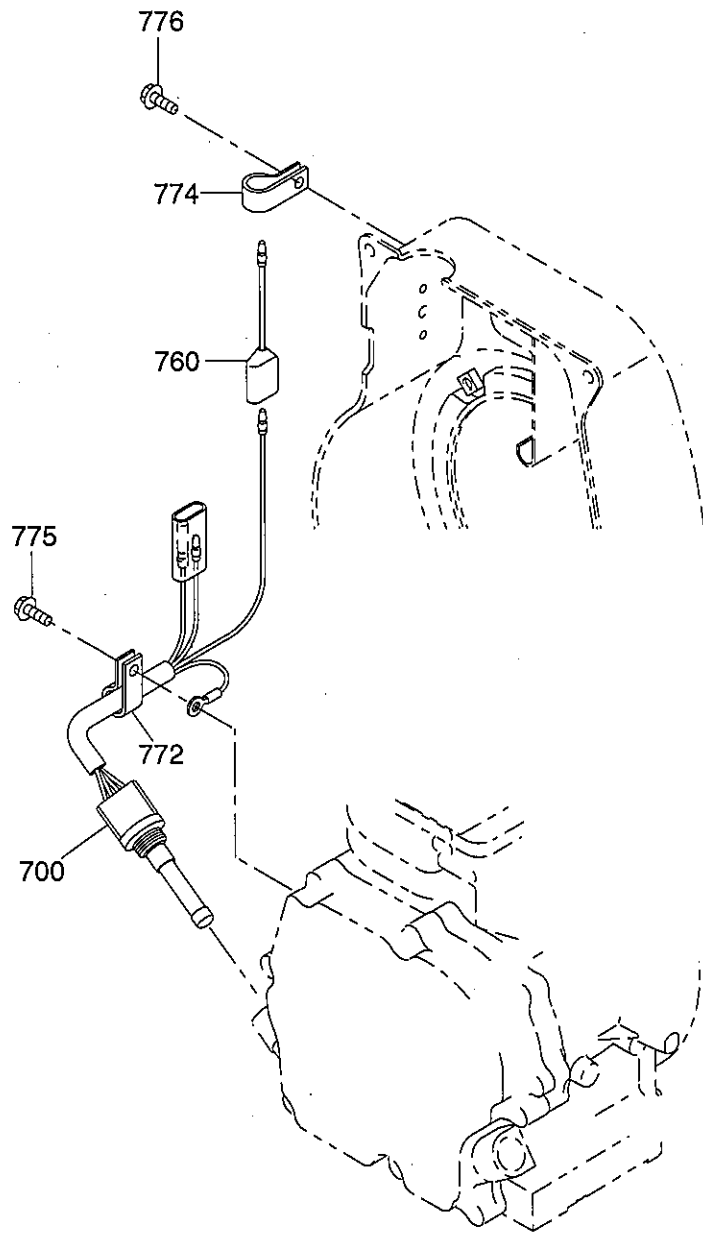




FIG. 900

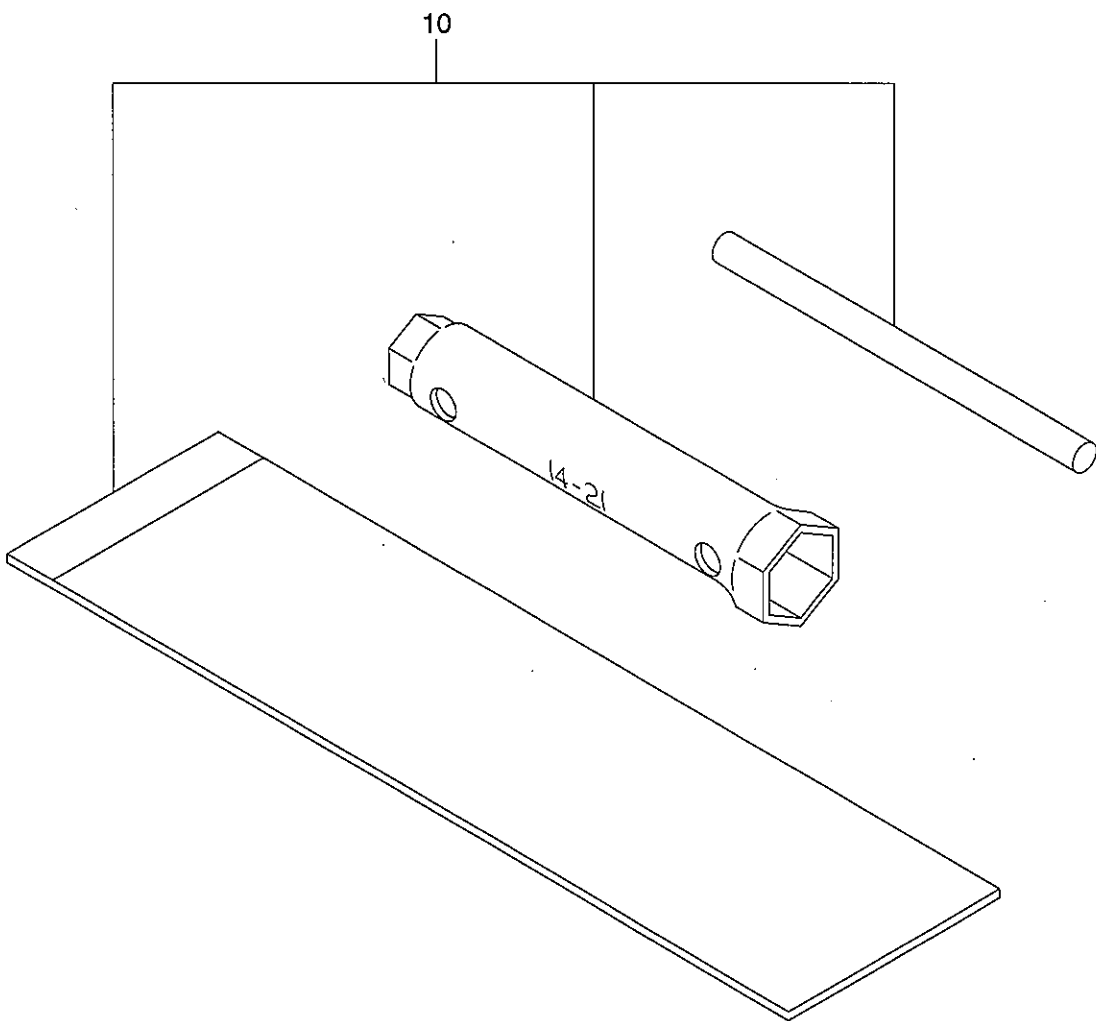
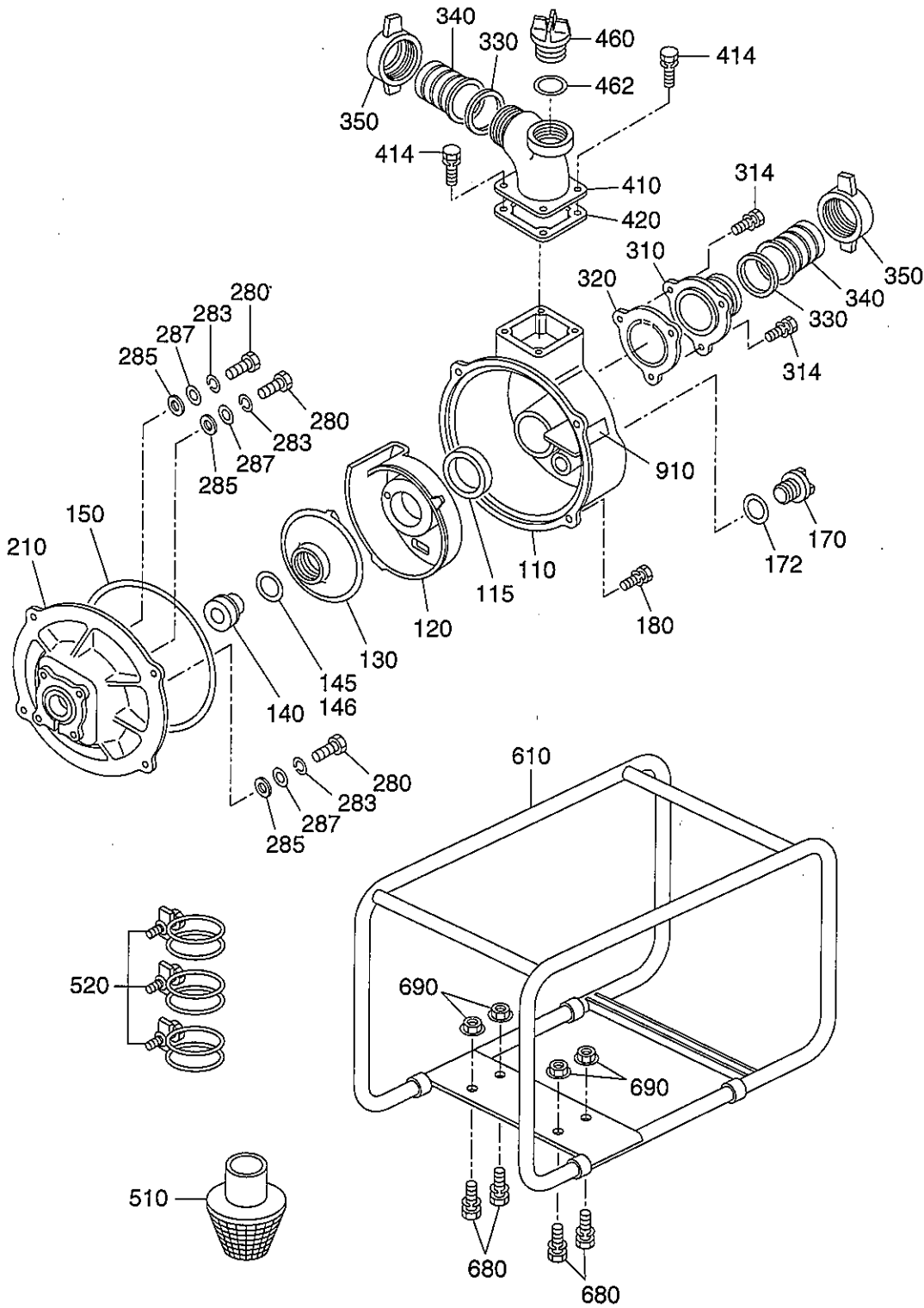


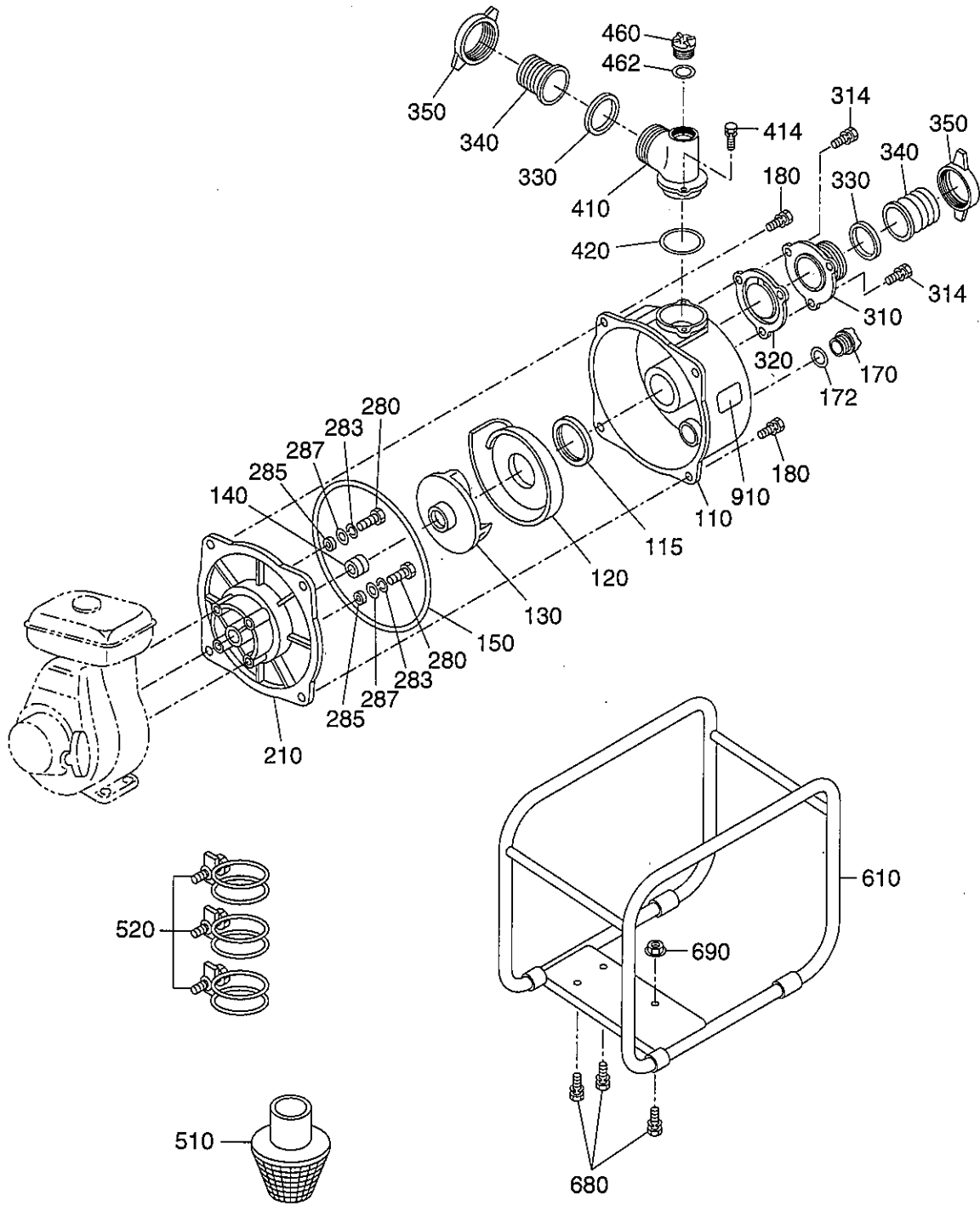
FIG. 4200



4 2 PUMP (PTG208)

REF. NO.	PART NUMBER		PART NAME		CODE NO. FROM - TO	QTY	REMARKS SPEC.NO.	INTERCHANGEABLE PART NUMBER	FIG. NO.
		PART NUMBER		SPEC. NO.					
110		480-05010-01		CASING	-	1			4200
115		480-05010-12		PACKING, INNER CASING	-	1			4200
120		480-05010-11		INNER CASING	-	1			4200
130		480-05010-09		IMPELLER	-	1			4200
140		480-05010-10		MECHANICAL SEAL	-	1			4200
145		480-05010-42		SHIM	-	1	T=0.3		4200
146		480-05010-43		SHIM	-	1	T=0.6		4200
150		480-05010-02		PACKING, CASING	-	1			4200
170		480-05010-21		PLUG, DRAIN	-	1			4200
172		480-05010-22		PACKING, PLUG	-	1			4200
180		480-05010-03		BOLT & WASHER AY	-	4			4200
210		480-05010-04		CASING COVER	-	1			4200
280		480-05010-05		BOLT	-	4			4200
283		480-05010-07		SPRING WASHER	-	4			4200
285		480-05010-06		SEAL PACKING	-	4			4200
287		480-05010-08		WASHER	-	4			4200
310		480-05010-13		SUCTION FLANGE	-	1			4200
314		480-05010-14		BOLT & WASHER AY	-	3			4200
320		480-05010-15		CHECK VALVE	-	1			4200
330		480-05010-17		PACKING, NIPPLE	-	2			4200
340		481-00001-14		HOSE COUPLING (ABS)	-	2			4200
350		481-00001-15		COULIG HANDLE (ABS)	-	2			4200
410		480-05010-19		DELIVERY FLANGE	-	1			4200
414		480-05010-14		BOLT & WASHER AY	-	4			4200
420		480-05010-20		PACKING	-	1			4200
460		480-05010-21		PLUG, DRAIN	-	1			4200
462		480-05010-22		PACKING, PLUG	-	1			4200
510		480-05050-29		STRAINER	-	1			4200
520		480-05010-28		HOSE BAND	-	3			4200
610		481-00001-49		FRAME	-	1			4200
680		480-05010-23		BOLT & WASHER AY	-	4			4200
690		480-05010-24		FLANGE NUT	-	4			4200
910		482-01001-03		LABEL (PUMP NAME)	-	1	EY153D10050		4200
		482-01016-03		LABEL (PUMP NAME)	-	1	EY153D10130		4200

FIG. 4200



4 2 PUMP (PTG209)

REF.	PART NUMBER	PART NAME	QTY	REMARKS	CODE NO. FROM-TO	INTERCHANGEABLE PART NUMBER	UNIT PRICE	FIG.
110	480-05080-01	CASING	1		-			4200
115	480-05010-12	PACKING, INNER CASING	1		-			4200
120	480-05050-11	INNER CASING	1		-			4200
130	480-05050-09	IMPELLER	1		-			4200
140	480-05010-10	MECHANICAL SEAL	1		-			4200
150	480-05050-02	PACKING(CASING)	1		-			4200
170	480-05010-21	PLUG, DRAIN	1		-			4200
172	480-05010-22	PACKING, PLUG	1		-			4200
180	480-05010-14	BOLT & WASHER AY	4		-			4200
210	480-05050-04	CASING COVER	1		-			4200
280	480-05010-05	BOLT	2		-			4200
283	480-05010-07	SPRING WASHER	2		-			4200
285	480-05010-06	SEAL PACKING	2		-			4200
287	480-05010-08	WASHER	2		-			4200
310	480-05050-13	VALVE CASE	1		-			4200
314	480-04010-34	BOLT & WASHER AY	3		-			4200
320	480-05050-15	CHECK VALVE	1		-			4200
330	480-05010-17	PACKING, NIPPLE	2		-			4200
340	481-00001-14	HOSE COUPLING (ABS)	2		-			4200
350	481-00001-15	COULIG HANDLE (ABS)	2		-			4200
410	480-05080-19	BEND	1		-			4200
414	480-02510-23	BOLT	2		-			4200
420	480-05080-20	O RING	1		-			4200
460	480-05010-21	PLUG, DRAIN	1		-			4200
462	480-05010-22	PACKING, PLUG	1		-			4200
510	480-05050-29	STRAINER	1		-			4200
520	480-05010-28	HOSE BAND	3		-			4200
610	481-00001-49	FRAME	1		-			4200
680	480-05010-23	BOLT & WASHER AY	4		-			4200
690	480-05010-24	FLANGE NUT	4		-			4200
910	482-01005-03	LABEL (PUMP NAME)	1		-			4200